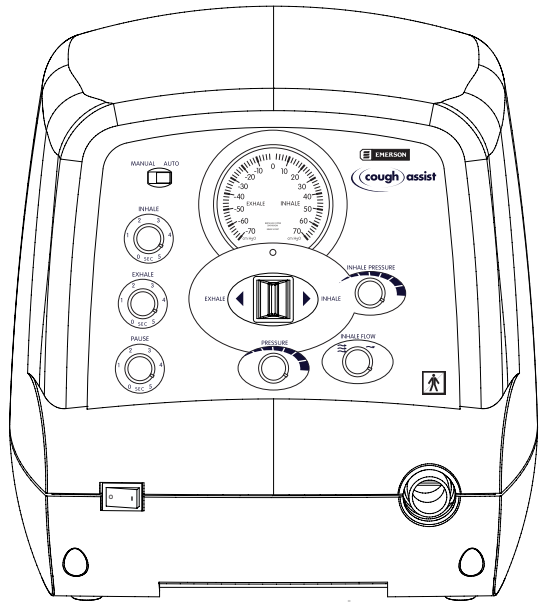
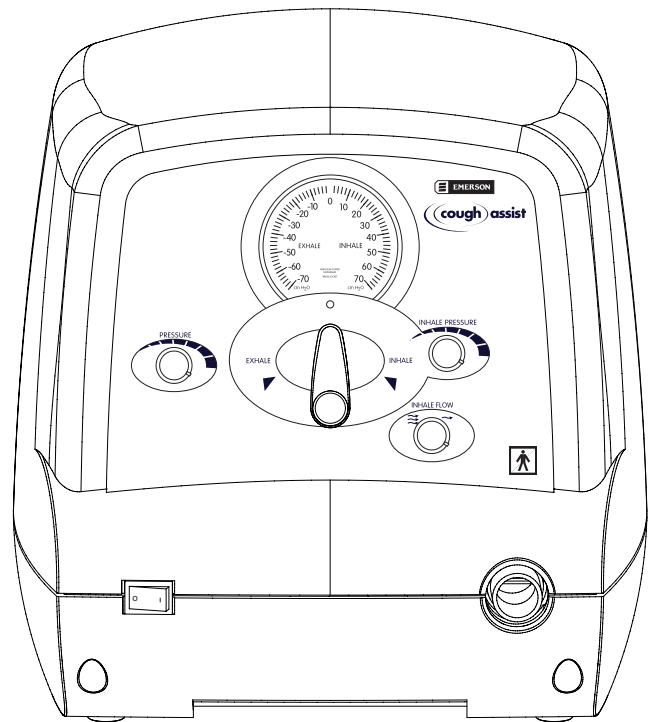


cough assist™ USER'S GUIDE



MODELS CA-3000 & CA-3200

MODELS CM-3000 & CM-3200



MEDICAL PRODUCT INNOVATIONS SINCE 1928

T A B L E O F C O N T E N T S

SECTION

1	Introduction	2
2	Warnings and Cautions	3
3	Specifications	6
4	Controls, Connectors and Visual Indicators	7
5	Operating Procedure	10
6	Cleaning and Disinfection	14
7	Accessories	15
8	Preventive Maintenance and Troubleshooting Guide	16
9	Warranty and Service	18

SECTION 1

INTRODUCTION

The Emerson CoughAssist™ Mechanical In-Exsufflator (MI-E) assists patients in clearing retained bronchopulmonary secretions by gradually applying a positive pressure to the airway, then rapidly shifting to a negative pressure. This rapid shift in pressure, via a facemask, mouthpiece or an endotracheal or tracheostomy tube, produces a high expiratory flow rate from the lungs, simulating a cough, a technique referred to as “mechanical insufflation-exsufflation.” The automatic CoughAssist MI-E (CA-3000, CA-3200) has timing mechanisms to automate the inspiratory and expiratory cycles as well as a manual control. The manual CoughAssist MI-E (CM-3000, CM-3200) uses a manually operated valve to shift from positive to negative pressure and back.

Those who might benefit from the use of the CoughAssist MI-E include any patient with an ineffective cough due to muscular dystrophy, myasthenia gravis, poliomyelitis, or other neurologic disorder with some paralysis of the respiratory muscles, such as spinal cord injury. It may also be used to treat ineffective cough due to other bronchopulmonary diseases, such as emphysema, cystic fibrosis and bronchiectasis. It is effective for both trached and non-invasively ventilated patients.

- ▲ **Indications for Use:** Any patient unable to cough or clear secretions effectively due to reduced peak cough expiratory flow (less than 2 to 3 liters per second), resulting from high spinal cord injuries, neuro-muscular deficits or severe fatigue associated with intrinsic lung disease, is a candidate for this device.
- ▲ **Contraindications:** Any patient with a history of bullous emphysema, known susceptibility to pneumothorax or pneumo-mediastinum, or known to have had any recent barotrauma, should be carefully considered before use.

SECTION 2

WARNINGS AND CAUTIONS

EQUIPMENT CLASSIFICATION

Per IEC 60601-1, Medical Electrical Equipment, General Requirements for Safety, the CoughAssist MI-E is classified as follows:

Class 1 Equipment: Equipment in which protection against electric shock does not rely on basic insulation only, but includes a grounding pin on the power cord. For ground reliability always plug the power cord into an AC grounded outlet.

Type BF Equipment: Type B piece of equipment with an F-Type applied part.

A Type B piece of equipment is one that provides a particular degree of protection against electric shock, particularly regarding allowable leakage current and reliability of the protective earth connection (grounding).

F-Type applied part is one that extends from the patient into the equipment and is isolated from all other parts of the equipment.

Water Ingress: This device does not have protection against ingress of water.

Disinfection: With the exception of the patient circuit, this device can be disinfected using 70% isopropyl alcohol or equivalent. (See Section 6: Cleaning and Disinfection.)

Flammable Anesthetics: This device is not suitable for use in the presence of a flammable anesthetic mixture with air, or in the presence of a flammable anesthetic mixture with oxygen or nitrous oxide.

Intermittent Operation: This device is designed for *Intermittent Operation Only* and not for continuous use. The device should not be cycled continuously for more than 5 minutes. After such time, the unit should either be turned off or left idling with the blower on for at least 5 minutes.

IMPORTANT SAFEGUARDS

DEFINITIONS

Throughout this guide the following definitions apply:

- **Warning/DANGER:** A condition that could cause electrocution or injury to a user or operator if instructions are not followed.
- **CAUTIONS:** A condition that could cause damage to equipment or cause inaccurate function.

WARNINGS

- ▲ Patients known to have cardiac instability should be monitored for pulse and oxygen saturation very closely.
- ▲ Soreness and/or pain in the chest from a pulled muscle may occur in patients using the CoughAssist MI-E for the first time if the positive pressure used exceeds pressures, which the patient normally receives during Positive Pressure Therapy.¹ Such patients should start at a lower positive pressure during treatment, and gradually (over several days, or as tolerated) increase the positive pressure used.
- ▲ Do not use in the presence of flammable anesthetics.
- ▲ Connection should be made to a grounded outlet only.
- ▲ Do not place or store the device where it can fall or be pulled into a tub or sink.
- ▲ If the device comes into contact with water, unplug the unit.
- ▲ Never operate the CoughAssist MI-E if it has a damaged cord or plug, is not working properly, or has been dropped, damaged or immersed in water.

¹ Positive Pressure Therapy includes the use of a volume ventilator, nasal or mask ventilation or CPAP (Continuous Positive Airway Pressure), or IPPB (Intermittent Positive Pressure Breathing).

WARNINGS AND CAUTIONS

- ▲ Replace fuses only with ones having the same ratings for blow characteristics, current and voltage.
- ▲ Do not remove the cover; there are no serviceable parts inside the unit. Refer all service to authorized personnel.
- ▲ Always check time and pressure settings before each treatment.

CAUTIONS

- Federal Law (USA) restricts this device to use by, or at the direction of a physician.
- Position the CoughAssist MI-E so that the air intake ports on the side and rear of the unit are not blocked.
- Never operate the device unless a bacterial/viral filter is attached to the patient circuit.
- Always use a new filter when using the device on a new patient.
- This device is designed for *Intermittent Operation Only* and not for continuous use. The device should not be cycled continuously for more than 5 minutes. After such time, the unit should either be turned off or left idling with the blower on for at least 5 minutes.
- Turn the unit off when not in use.
- Keep the cord away from heated surfaces.
- Do not sterilize with ethylene oxide gas or steam sterilize the pump or pump housing.
- This device should only be used by trained personnel.

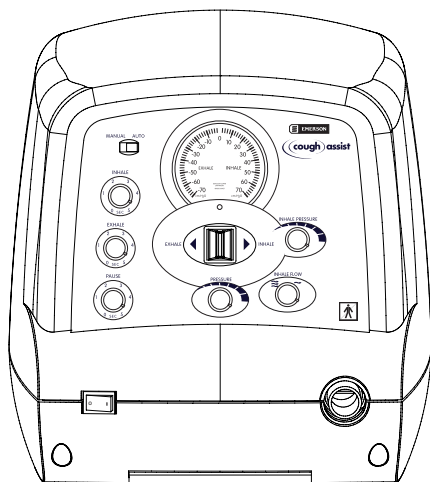
SECTION 3

SPECIFICATIONS

Maximum Positive Pressure:	60 cm H ₂ O (44 mm Hg)
Maximum Negative Pressure:	60 cm H ₂ O (44 mm Hg)
Standards:	Conforms to UL STD 2601-1, certified to CAN/CSA - STD C22.2 No. 601.1-M90, CE 0413
Maximum Inhalation Flow:	3.3 liters/second with inhale flow set to minimum; if set to maximum inhalation, the flow is the same as the exhalation flow
Maximum Exhalation Flow Capacity:	10 liters/second; actual flow depends on maximum pressure and on airway resistance
Pressure Gauge:	-70 to 0 to +70 cm H ₂ O; accuracy +/-2% of full scale
Mode of Operation:	Models CA-3000, CA-3200: Automatic and Manual Timing Models CM-3000, CM-3200: Manual Timing
Inhalation, Exhalation, Pause Times:	CA-3000, CA-3200: Automatic mode, 0 to 5 seconds CM-3000, CM-3200: User variable
"Off" Position:	Yes - connects to ambient
Blower Type:	Two-stage centrifugal blower with AC/DC universal motor
Input Voltage:	CA-3000, CM-3000: 100-120 VAC, 60Hz CA-3200, CM-3200: 220-240 VAC, 50Hz
Input Power:	CA-3000, CM-3000: 300 VA CA-3200, CM-3200: 600 VA
Dimensions:	292mm x 279mm x 419mm (HxWxD) (11.5" x 11" x 16.5")
Weight:	CA-3000, CA-3200: 11 kg (24 lbs) CM-3000, CM-3200: 9.3kg (20.6 lbs)
Temperature Specifications:	Operating temperature range: +10 to +40°C (+50 to +104°F) Storage temperature range: -20 to +50°C (-4 to +122°F)
Humidity Specifications:	Operating humidity range: 30% to 75% Storage humidity range: 10% to 90%

SECTION 4



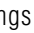
CONTROLS, CONNECTORS & VISUAL INDICATORS

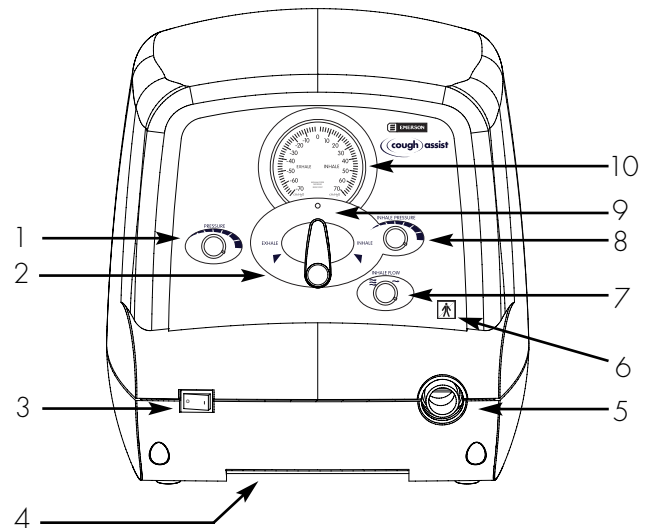


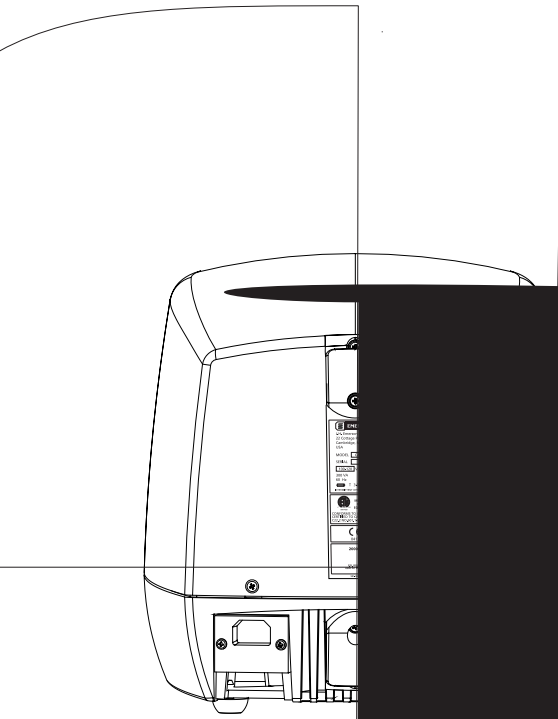
CA-3000, CA-3200 FRONT PANEL CONTROLS

1. **Manual/Auto:** Changes the cycling mechanism to either manual or automatic mode.
2. **Inhale:** Sets time interval (sec) for Inhale phase of automatic cycling. Not operative in the manual mode.
3. **Exhale:** Sets time interval (sec) for Exhale phase of automatic cycling. Not operative in the manual mode.
4. **Pause:** Sets time interval (sec) for Pause phase of automatic cycling. Not operative in the manual mode.
5. **Power:** The power switch turns on or off the CoughAssist MI-E. The "I" symbol on the switch designates the on position. When activated a green light within the switch will illuminate. The "O" symbol designates the off position.
6. **Manual Control Lever:** Use to manually cycle the unit to inhale or exhale. Not operative in the automatic mode.
7. **Pressure:** Varies the inhalation and exhalation pressures together (also see Inhale Pressure).
8. **Handle:** Recessed carrying handle.
9. **Patient Port:** Connection for patient circuit.
10. : Symbol for Type B Equipment with F-Type applied part.
11. **Inhale Flow:** There are two inhalation flow settings: Full (\approx) and Reduced (\sim).
NOTE: When using reduced inhalation flow there will be a small reduction in inhale pressure.
12. **Inhale Pressure:** Varies the inhalation pressure between 50% and 100% of the exhale pressure.
13. **Pressure Gauge Zero Adjust:** Access to "zero" adjustment on the pressure gauge. Use only if the gauge does not return to "0" when the unit is turned off (see Section 8).
14. **Pressure Gauge:** Indicates pressure in the patient circuit calibrated in cm H₂O.

CM-3000, CM-3200 FRONT PANEL CONTROLS

1. **Pressure:** Varies the inhalation and exhalation pressures together (also see Inhale Pressure).
2. **Manual Control Lever:** Use to manually cycle the unit to inhale or exhale.
3. **Power:** The power switch turns on or off the unit. The “I” symbol on the switch designates the on position. When activated a green light within the switch will illuminate. The “O” symbol designates the off position.
4. **Handle:** Recessed carrying handle.
5. **Patient Port:** Connection for patient circuit.
6.  : Symbol for Type B Equipment with F-Type applied part.
7. **Inhale Flow:** There are two inhalation flow settings: Full () and Reduced ().
NOTE: When using reduced inspiratory flow there will be a small reduction in inspiratory pressure.
8. **Inhale Pressure:** Varies the inhalation pressure between 50% and 100% of the exhale pressure.
9. **Pressure Gauge Zero Adjust:** Access to “zero” adjustment on the pressure gauge. Use only if the gauge does not return to “0” when the unit is turned off (see Section 8).
10. **Pressure Gauge:** Indicates pressure in the patient circuit calibrated in cm H₂O.





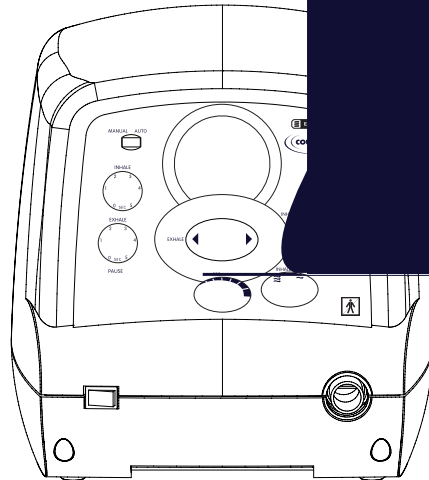
OBELS)

SECTION

OPERATION

INITIAL SET-UP

1. Install the power cord right angle connector to the receptacle on the back of the device. Run the cord inside of the lower cord wrap to act as a strain relief.
2. Position the unit on a suitable surface within easy reach of the user. **CAUTION:** Position the device so that the air intake and rear of the unit are not blocked.
3. Assemble the patient circuit (filter, breathing hose and patient interface).
 - a. Attach the bacterial/viral filter to the patient port on the front of the unit.
 - b. Attach the 3-foot 22mm ID smooth bore breathing hose to the patient port on the front of the unit.
 - c. Attach the appropriate patient interface to the breathing hose. Options include a facemask and adapter, mouthpiece, lip seal, and tube adapter. (A facemask and adapter are included with the unit.)
4. Plug the power cord into an AC grounded outlet of appropriate voltage.



NOTE: There are no requirements regarding avoidance with other devices².

² CoughAssist MI-E meets IEC 60601-1-2 for Electromagnetic Interference and Immunity, Medical Electrical Equipment, Part 1, General Requirements for Safety; 2. Collateral Standard: Electromagnetic Compatibility Requirements and Tests, which defines standards for both electromagnetic emissions and immunity.

PRESSURE ADJUSTMENT

Each individual patient may require special settings for the maximum positive (inhalation) and negative (exhalation) pressures. For a patient using this device for the first time, it is advisable to begin with lower pressures, such as 10-15 cm H₂O positive and negative, to familiarize the patient with the feel of mechanical insufflation-exsufflation. During subsequent treatments, pressures can be increased as necessary to achieve adequate secretion clearance. See WARNING (page 4).

Note that at these lower pressures the CoughAssist MI-E may have limited effectiveness in clearing secretions. Increasing pressures should improve the effectiveness.

1. Turn on the power switch.
2. Set the inhale flow to full or reduced.
3. Attach the patient circuit to the unit and block the end of the breathing hose.
4. Set the manual/auto switch to manual (automatic models only).
5. Push the manual control lever to the exhalation phase (to the left). Observe the pressure gauge on the device and adjust the maximum pressure (negative) using the pressure knob to achieve the correct reading on the gauge.
6. Shift the manual control lever to the inhalation phase (push to the right). Adjust the pressure reading by turning the inhale pressure knob to achieve the correct reading on the pressure gauge (clockwise to increase pressure and counterclockwise to decrease pressure).
7. Cycle the manual control lever from inhale (positive) to exhale (negative) and back a few times to ensure that the pressure and suction readings are correct.
8. Release the manual control lever to ensure that the pressure immediately returns to 0cm H₂O. If it does not, refer to the Maintenance Section of this guide.





TIMING ADJUSTMENT (CA-3000, CA-3200 MODELS ONLY)

If the automatic feature of the CoughAssist MI-E is to be used, adjust the times as follows:

1. Each cough cycle consists of an inhalation phase, an exhalation phase and a pause phase, after which inhalation begins again. The time for each phase is set with the three knobs on the left side of the front panel. Normally, inhale time and exhale time are set to 1 to 3 seconds and the pause time can be set up to 5 seconds, or eliminated by setting the pause time knob to 0 seconds, depending on the patient's preference.
2. Set the manual/auto switch to the auto position and observe that the unit cycles from positive to negative pressure, then to zero pressure, and repeats until the switch is set back to manual. When set to the manual position, the unit should return to 0 cm H₂O.

TREATMENT

Treatment usually consists of 4 or 5 coughing cycles in succession. The patient is then allowed to rest for 20 to 30 seconds, which helps avoid hyperventilation. The cycles can then be repeated 4 to 6 times for a full treatment.

WARNING: Always check time and pressure settings before each treatment.

Manual Operation (All models):

1. Attach the appropriate patient interface to the patient.
2. Shift the manual/auto switch to the manual position (automatic models only). Shift the manual control lever to the inhale position (to the right) and observe the pressure gauge to see the pressure build slowly over 2 to 3 seconds.
3. Rapidly shift the manual control lever to the exhale position (to the left) to induce the cough, holding it there for 1 to 2 seconds. The lever can then either be left in the neutral position for a few seconds, or can be shifted immediately to the positive pressure phase for another cough cycle, depending on the patient's preference.
4. After 4 to 5 cycles, remove the patient interface from the patient and allow time for a normal breathing pattern to return (20 to 30 seconds), or place the patient back on the ventilator if currently in use. Avoid prolonged periods connected to the device. During this resting period, clear secretions that may have become visible in the mouth, throat or tracheostomy tube.

OPERATING PROCEDURE

Automatic Operation (CA-3000, CA-3200 models only):

1. Attach the appropriate interface to the patient.
2. To operate the unit automatically, set the manual/auto switch to the auto position. The unit will cycle from inhale (positive) to exhale (negative) to zero pressure, and back to inhale.
3. After 4 to 5 cycles, set the manual/auto switch back to the manual position. Remove the patient interface from the patient and allow time for a normal breathing pattern to return (20 to 30 seconds), or place the patient back on the ventilator if currently in use. Avoid prolonged periods connected to the device. During this resting period, clear secretions that may have become visible in the mouth, throat or tracheostomy tube.

CAUTION: This unit is designed for *Intermittent Operation Only* and not for continuous use. The device should not be cycled continuously for more than 5 minutes. After such time, the unit should either be turned off or left idling with the blower on for at least 5 minutes.

OPERATION VERIFICATION (ALL MODELS)

It is recommended that the CoughAssist MI-E be periodically tested to ensure that the cycling valve returns to the neutral, or pause, position after either the inhale or exhale phase. To determine this, follow these steps:

1. Attach a patient circuit to the unit and block the end of the hose.
2. Turn the power switch ON.
3. Set the manual/auto switch to the manual position (automatic models only).
4. Set the pressure knob fully clockwise (maximum pressure).
5. Cycle the manual control lever from inhale to exhale and observe the pressure gauge to ensure that positive and negative pressure is being applied to the patient circuit.
6. Release the manual control lever from the inhale position and observe that the pressure immediately drops to 0 cm H₂O. Repeat for the exhale position. In either case, if the pressure does not drop to zero, the unit should be returned for repair.

SECTION 6

CLEANING & DISINFECTION

PATIENT CIRCUIT

Institutional (hospital) Use:

1. Breathing Hose, Patient Interface and Adapters: If the device is to be used by more than one patient, the circuit must be replaced.
2. Bacterial/Viral Filter: If the device is to be used by more than one patient the filter must be replaced to prevent cross contamination. Do not try to wash the filter.

NOTE: The patient circuit should not be sterilized for reuse.

Home (individual) Use:

1. Breathing Hose, Patient Interface and Adapters: After use, the breathing hose and patient interface should be washed thoroughly in soap and water. These parts must be completely dry before reuse.
2. Bacterial/Viral Filter: The filter, which protects the device from entraining foreign material from the patient, can be left in place as long as it is not blocked by sputum or trapped moisture. Do not try to wash the filter.

NOTE: The patient circuit should not be sterilized.

EXTERNAL HOUSING

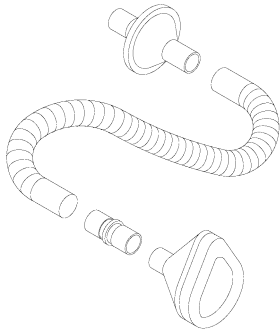
The exterior of the pump and housing may be washed with a mild detergent and water, or with a bactericidal cleaning solution such as 70% isopropyl alcohol.

CAUTION: Do not sterilize with ethylene oxide gas or steam sterilize the pump or pump housing.

SECTION 7

ACCESSORIES

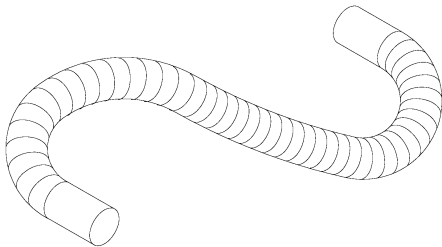
The following replacement accessories may be obtained from J.H. Emerson Co.



Part No. 325-9217

CoughAssist MI-E Patient Circuit

The CoughAssist MI-E Patient Circuit consists of one 3-foot long flexible smooth bore tube, a bacterial/viral filter, an adult face-mask and an adapter.

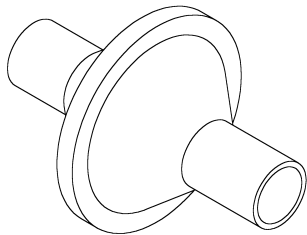


Part No. 732-1136

Breathing Hose

3-foot long flexible smooth bore tubing with 22mm interior diameter.

NOTE: Corrugated tubing may cause a small reduction in flow rates as well as cause a whistling sound. The use of tubing greater than 3-feet in length may cause a small reduction in flow rates as well.

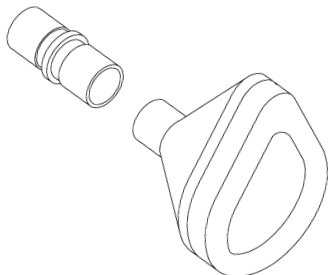


Part No. 740-1006

Bacterial/Viral Filter

Bacterial/Viral filter.

Part No. 740-1008



Part No. 740-1007

Facemask and Adapter

Facemask and Adapter, 22mm outside diameter x 22mm outside diameter.

SECTION 8

PREVENTIVE MAINTENANCE & TROUBLESHOOTING GUIDE

PREVENTIVE MAINTENANCE

This device has been designed to provide virtually maintenance-free operation for extended periods of time. Sharp blows to the unit or dropping the unit is to be avoided. No routine maintenance is required.

GENERAL SUGGESTIONS


1. Keep the unit's exterior clean.
2. Check that the air intake ports are not blocked.
3. Keep the CoughAssist MI-E away from curtains, blankets or any heat generating device.

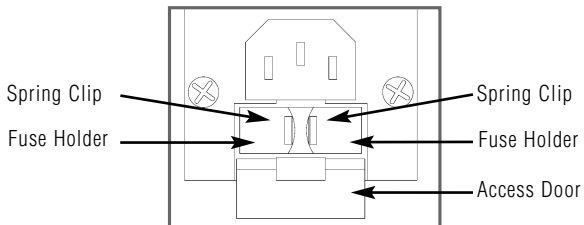
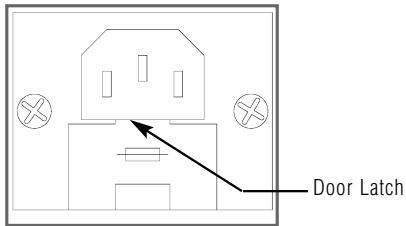
WARNING: Do not remove the cover; there are no serviceable parts inside the unit. Refer all service to authorized personnel.

Technical Information: J.H. Emerson Co. will make available on request a list of all repairable exterior parts with descriptions. Interior schematics and circuit diagrams will be made available to qualified technical personnel only.

TROUBLESHOOTING GUIDE

1. **Pressure Gauge Adjustment:** If the pressure gauge does not go to “0” when the device is turned off it must be readjusted. Remove the adhesive cover over the pressure gauge zero adjust and turn the adjust screw to “0” using a screwdriver. If unable to make this adjustment, the unit should be returned for servicing.
2. **Fuse Replacement:** If the unit is connected to the proper power source and the green light within the power switch does not illuminate when the switch is actuated, one or both of the two safety fuses may have blown. The procedure for replacement of a blown fuse is as follows:

- a. Disconnect the unit from any power outlet and disconnect the power cord from the receptacle on the rear of the unit (see Back Panel diagram on page 9).
- b. Locate the access door on the receptacle labeled with the symbol: . Open the access door by prying the latch at the top with a small screw driver or fingernail. Pivot the door down to reveal the two fuse holders.
- c. Press each of the two spring clips to the side (the left one to the left, the right one to the right) and slide both fuse holders out of the receptacle.
- d. Inspect both fuses and replace, if necessary, with fuses with equivalent ratings, as shown on the rear Product Label Description (page 9). To replace a fuse, slide the damaged one out of the holder and slide the new fuse in its place.
- e. Reinsert each fuse and holder into the receptacle, close the access door and reconnect the power cord.



SECTION 9

WARRANTY & SERVICE

WARRANTY

The CoughAssist MI-E is warranted to be free of defects in material or workmanship for one year.

CUSTOMER SERVICE:

For questions about this product please contact Customer Service at:

J.H. Emerson Co.

22 Cottage Park Avenue

Cambridge, MA 02140-1691

Phone: 800-252-1414 or 617-864-1414

Fax: 617-868-0841

Email: info@jhemerson.com

Web: www.coughassist.com

AUTHORIZED REPRESENTATIVE FOR THE EUROPEAN COMMUNITY:

Emergo Europe

P.O. Box 149

4300 AC Zierikzee

The Netherlands

J.H. EMERSON Co.

22 Cottage Park Avenue

Cambridge, MA 02140-1691

Phone: 800-252-1414 or 617-864-1414

Fax: 617-868-0841

Email: info@jhemerson.com

Web: www.coughassist.com

